

Acoustic Ceiling Tile

Urban

Never cut corners

The Urban system never cuts acoustic corners. Its simple square forms are layered for dimensionality and depth, forming a bustling, urban atmosphere that belies the silence they bring.



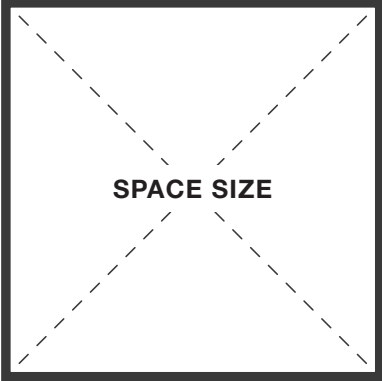
Rendering by Blaque

How To Specify

Key Information

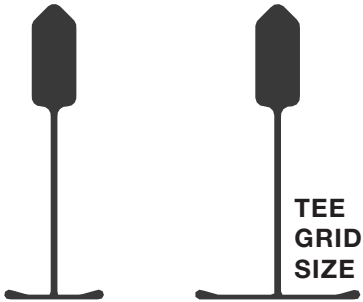
Urban is a modular ceiling tile system with multiple depths. Consider these questions as you design your layout.

1



What are the dimensions of the space?

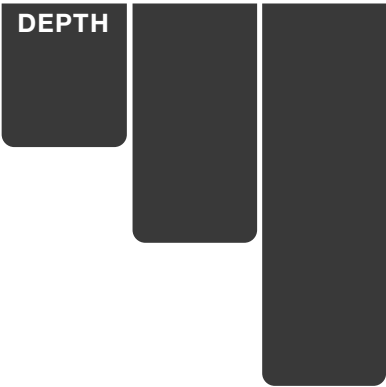
2



What is the size of the tee grid?

PAGE 3

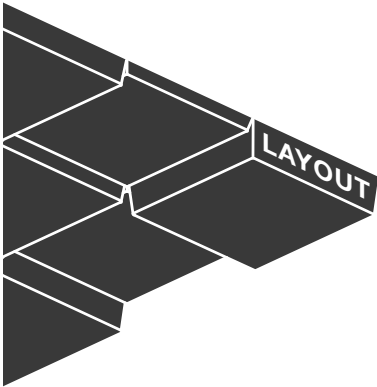
3



Do you need specific depths?

PAGE 4

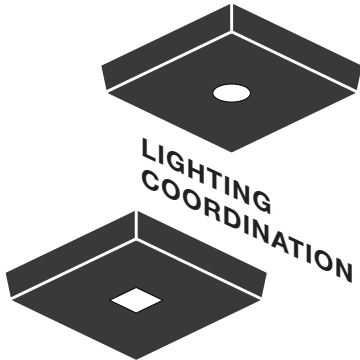
4



What is the proposed layout?

PAGE 5


5



Does the project need tiles for lighting coordination?

PAGE 9

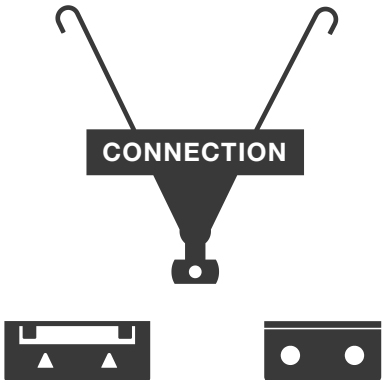
6



Will the project be located in a seismic zone?

PAGE 6

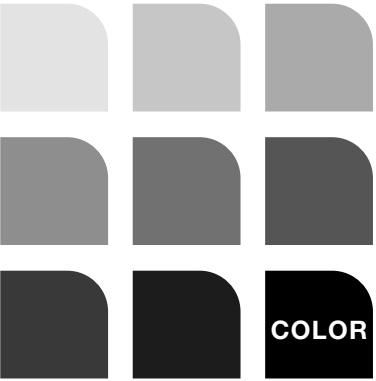
7



How will the tiles mount to the ceiling?

PAGE 6

8



What is the color?

PAGE 12



Dimensions

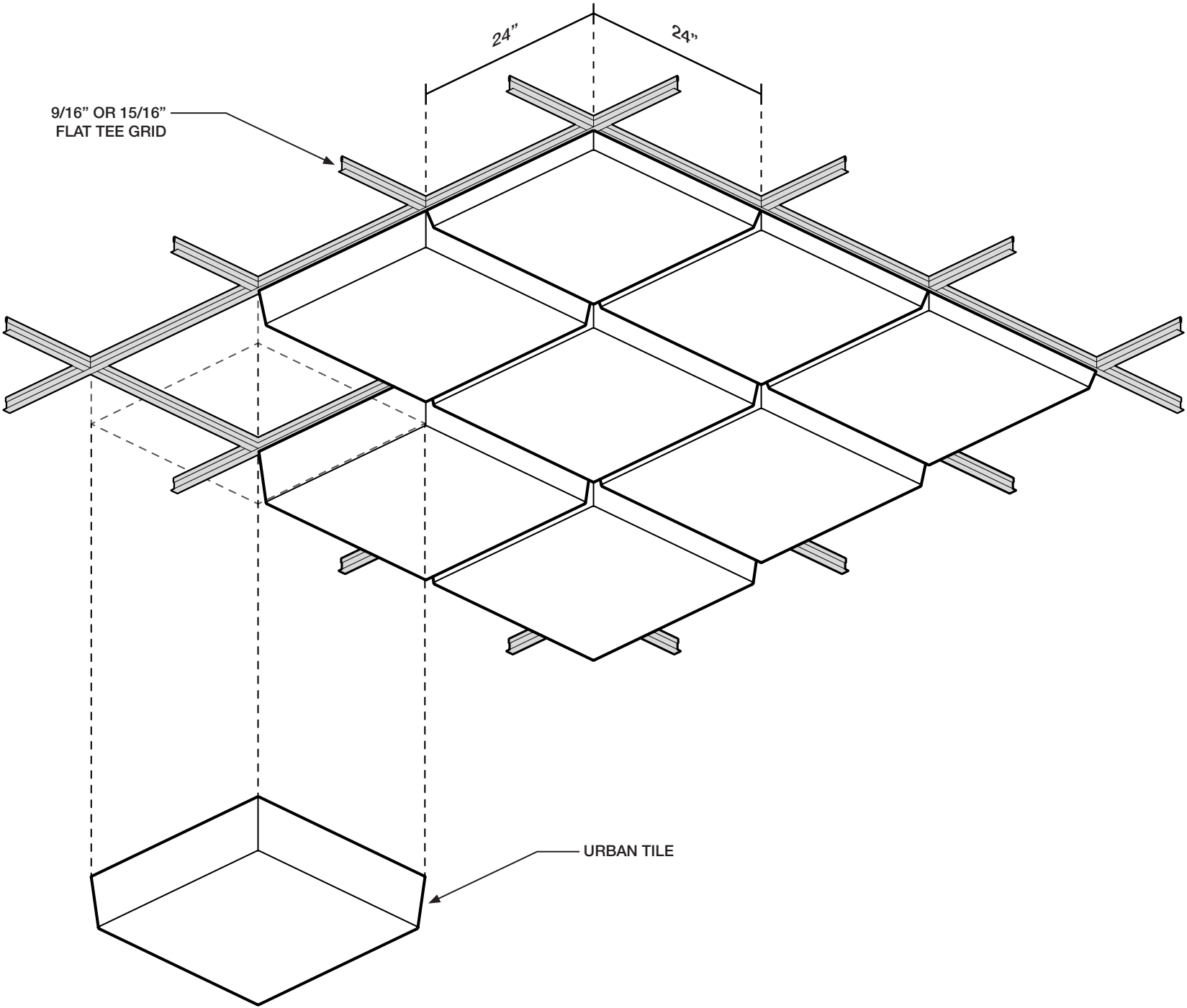
| | |
|-----------------|---------------------------------------|
| Standard Size | 24" L x 24" W |
| Standard Depths | 2"D, 4"D, 6"D |
| | See Tile Types page for more details. |

Connection Options

| | |
|-------------------------------|--|
| 9/16" or 15/16" Flat Tee Grid | Magnetic Clips Grid Clips Torsion Spring |
| | See Connections page for more details. |

Color

| | |
|-------------|---|
| 5mm Palette | Urban Tiles can be specified in any of our 5mm felt colors. |
|-------------|---|



ALL DIMENSIONS NOMINAL UNLESS NOTED OTHERWISE

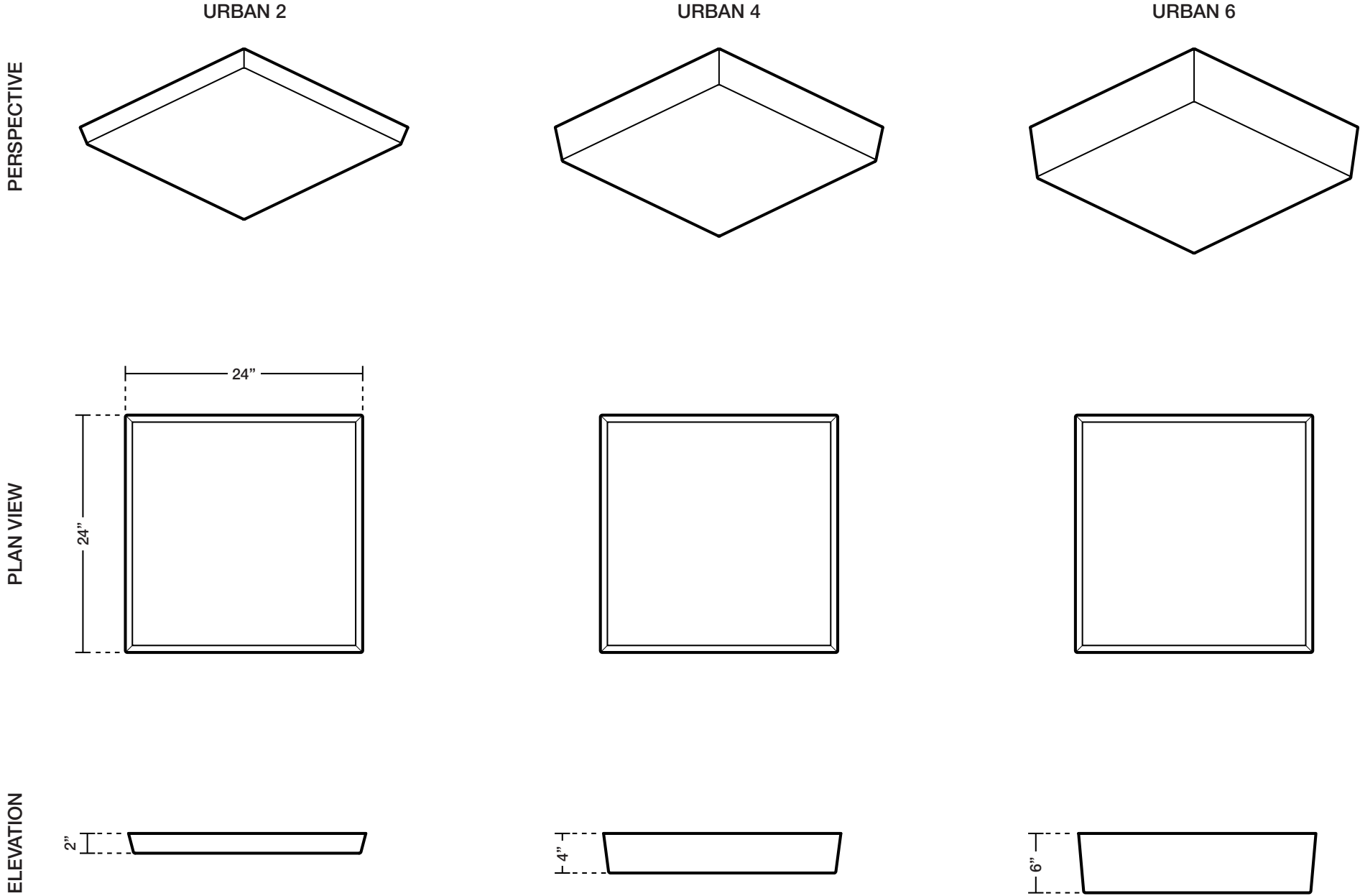


Tile Types

Design

All Urban tiles are designed to hide the tee grid from below and come in three standard depths.

PROFILE TYPES



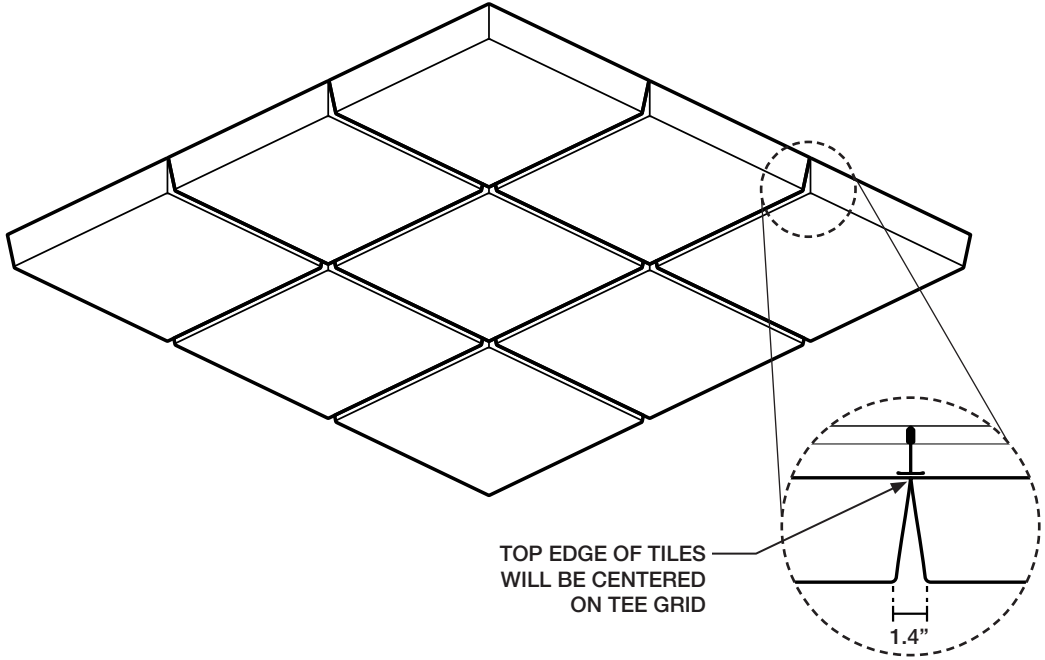
ALL DIMENSIONS NOMINAL UNLESS NOTED OTHERWISE



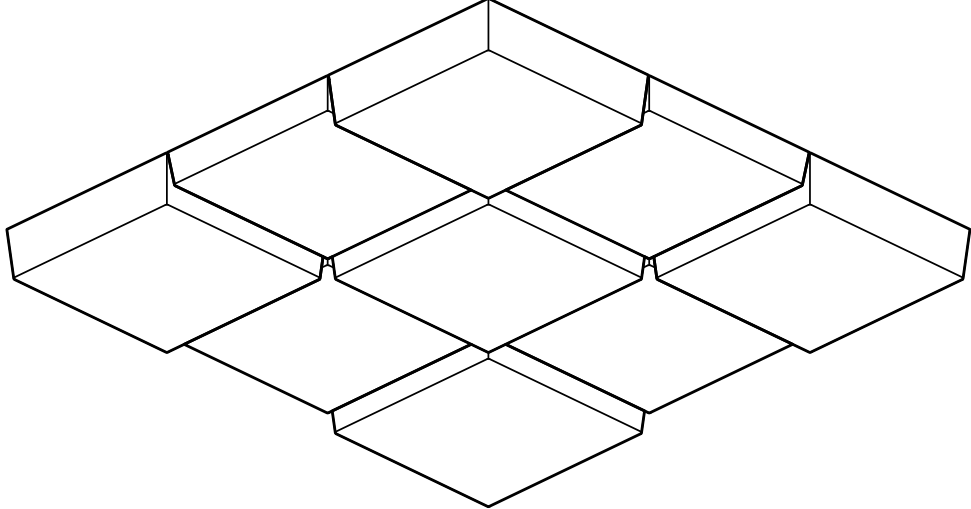
Typical Layouts

- Uniform** Use the same tile across the ceiling to create a consistent look.
- Crosshatch** Alternate different tile depths to create a staggered look.
- Random** Mix all the tile depths to create a dynamic look.
- Combination** Combine tiles across families, make sure to review the Tile Coordination & Lighting Coordination pages for details.

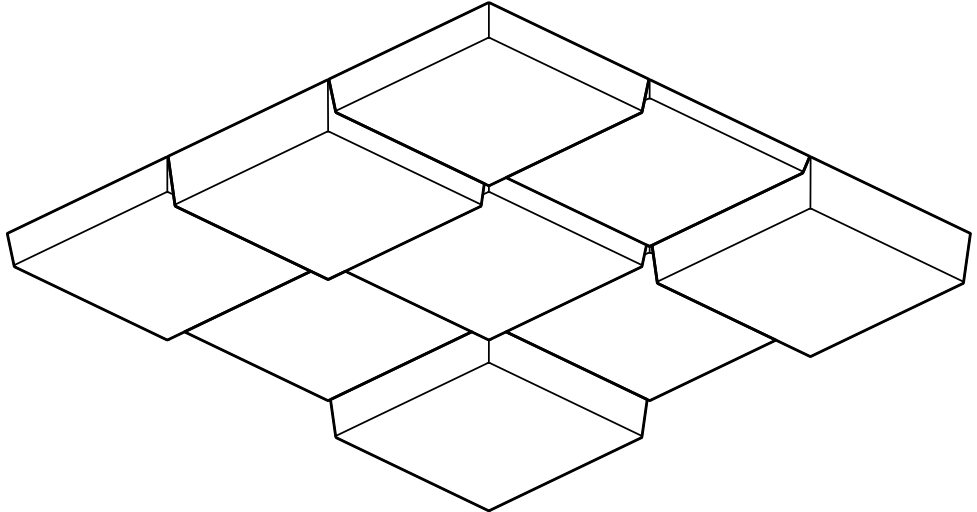
UNIFORM



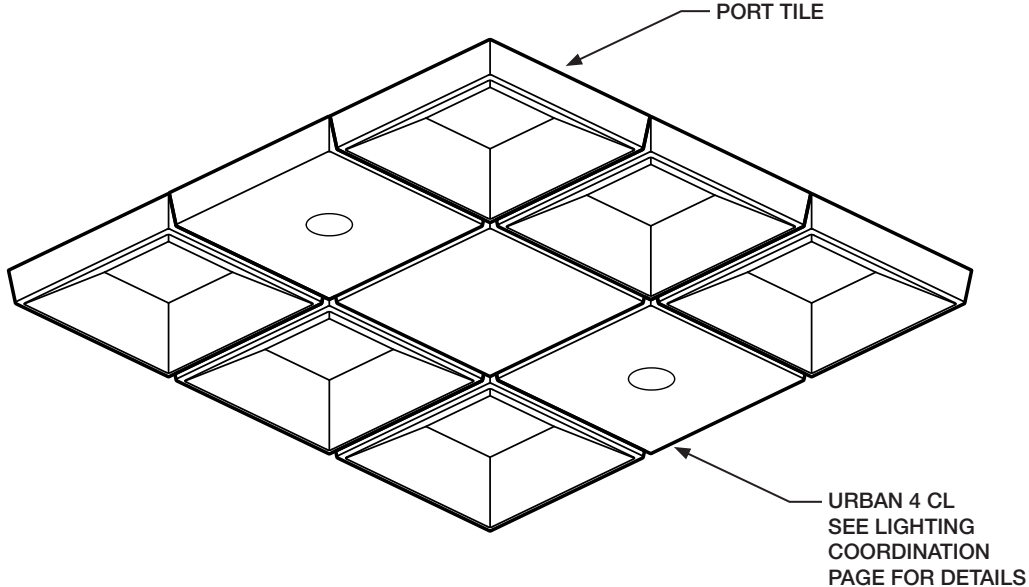
CROSSHATCH



RANDOM



COMBINATION



ALL DIMENSIONS NOMINAL UNLESS NOTED OTHERWISE

Connections

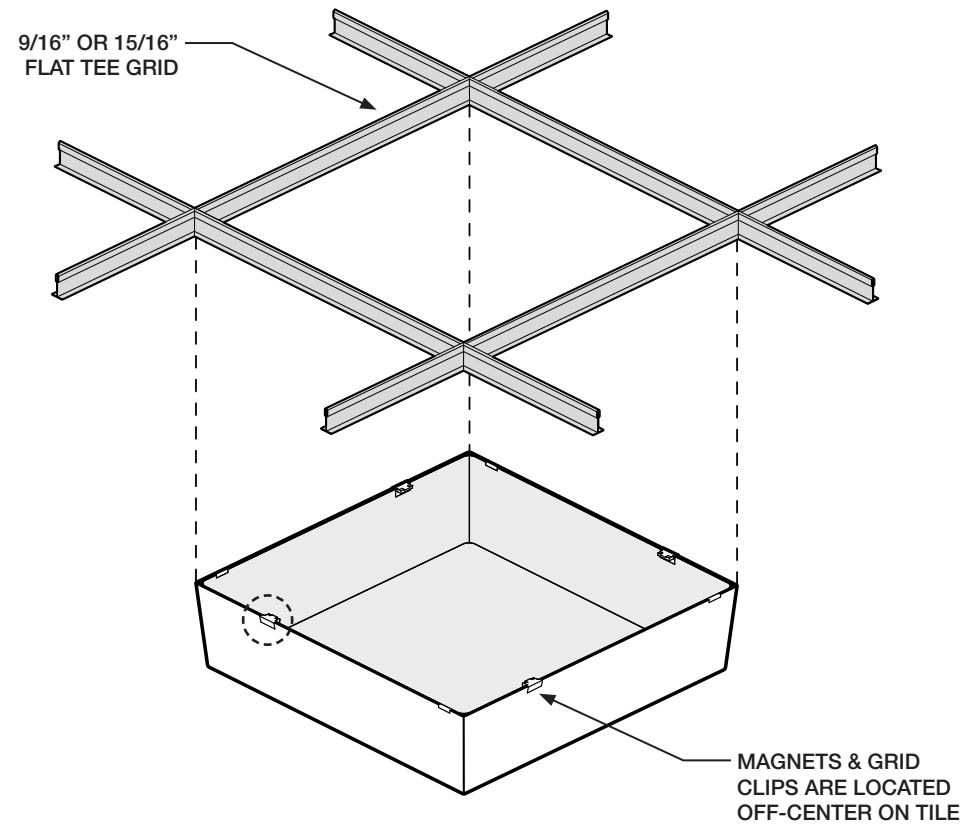
9/16" or 15/16" Tee Grid

Magnetic Clips
Grid Clips
Torsion Spring

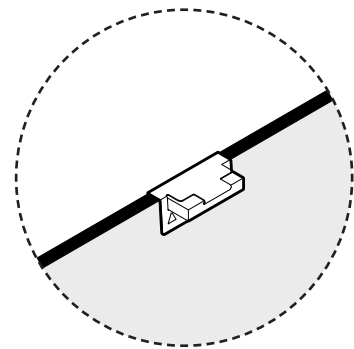
Seismic Connection

If your project is located in a seismic zone, use our Torsion Spring connection.

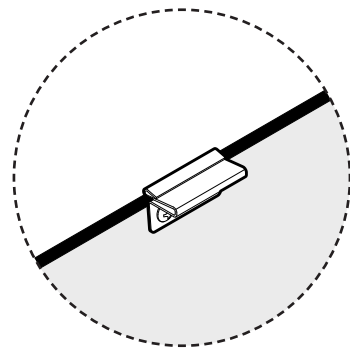
MAGNETIC CLIP & GRID CLIP



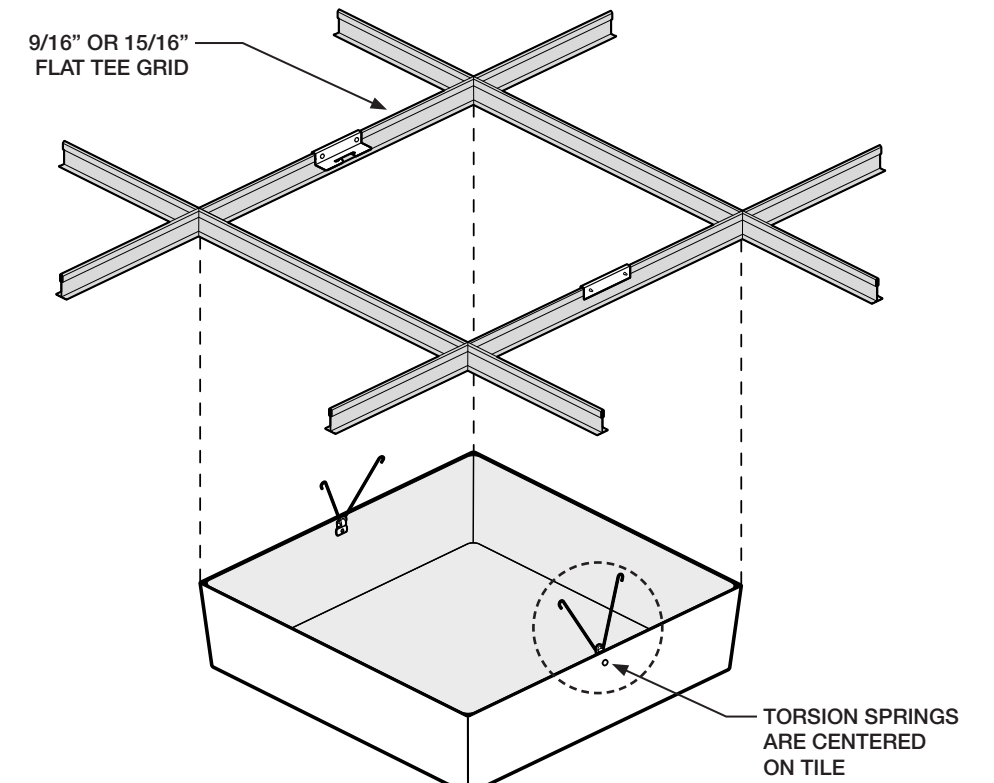
MAGNETIC CLIP



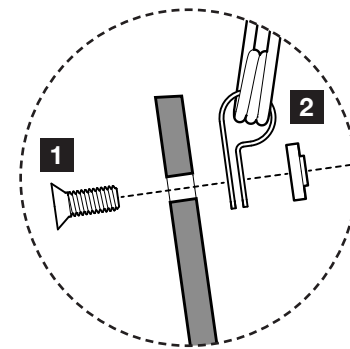
GRID CLIP



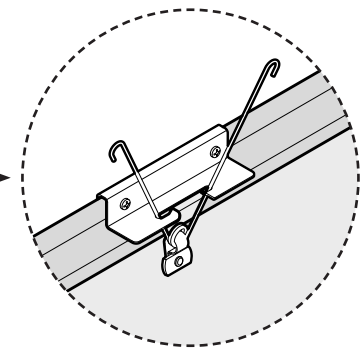
TORSION SPRING



TORSION SPRING ASSEMBLY



TORSION SPRING LOCKED IN PLACE



1 DRILL 1/2" SCREW THROUGH ONE OF THE PRECUT HOLES IN THE TILE

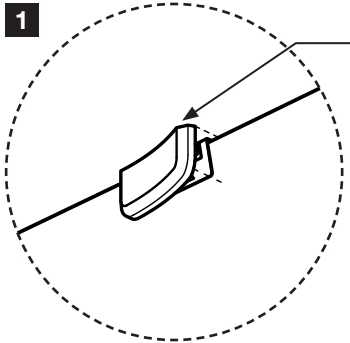
2 PLACE LOOP CLAMP THROUGH CENTER OF SPRING AND USE WELD NUT TO HOLD ENTIRE ASSEMBLY IN PLACE

Mounting Considerations

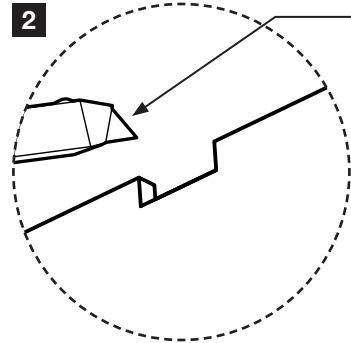
Additional Adhesive Strips The adhesive strips can be used to hide the exposed edge of the magnets.

Knock Outs Each side of the tile includes pre-cut knock outs in case magnets need to be moved during installation.

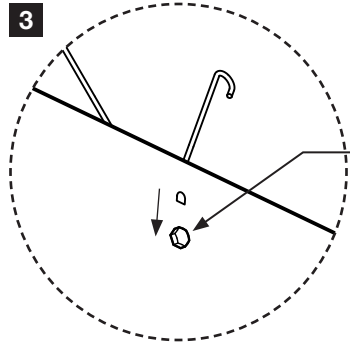
Torsion Spring Assembly The Torsion Spring mounting height can be adjusted in field.



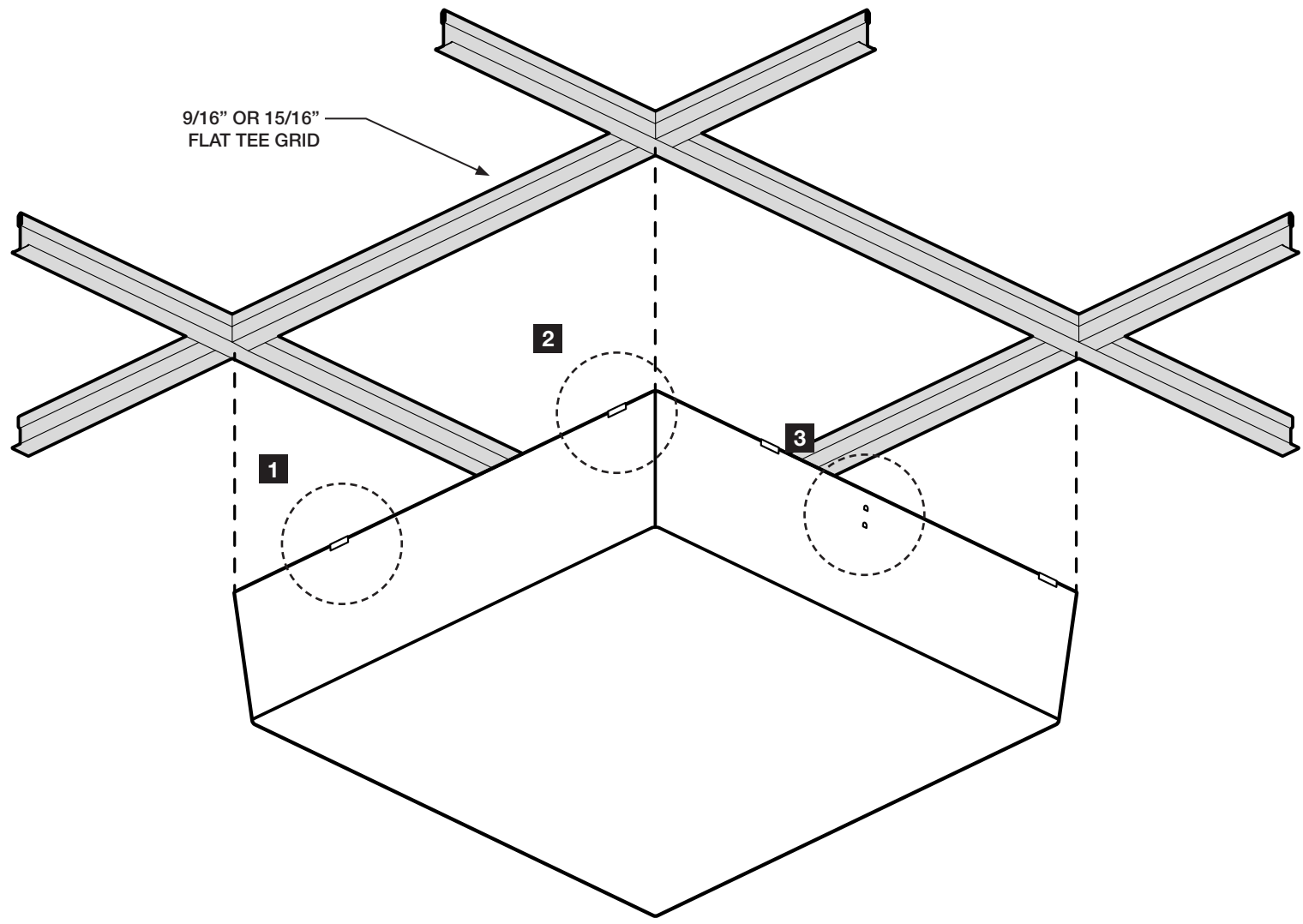
1 TURF SUPPLIES EXTRA STRIPS OF FELT WITH ADHESIVE, APPLIED IN FIELD TO HIDE MAGNETS



2 IF A MAGNET NEEDS TO BE MOVED IN FIELD, TURF PROVIDES AN EXTRA KNOCK OUT ON EACH SIDE OF ALL TILES.



3 FOR TORSION SPRING CONNECTIONS, THE ASSEMBLY CAN BE MOVED DOWN TO ACCOMMODATE A SECONDARY TEE GRID RUN WITH A SMALLER HEIGHT



Tile Coordination

Tile Line Tiles within the same family or similar depths can work well together.

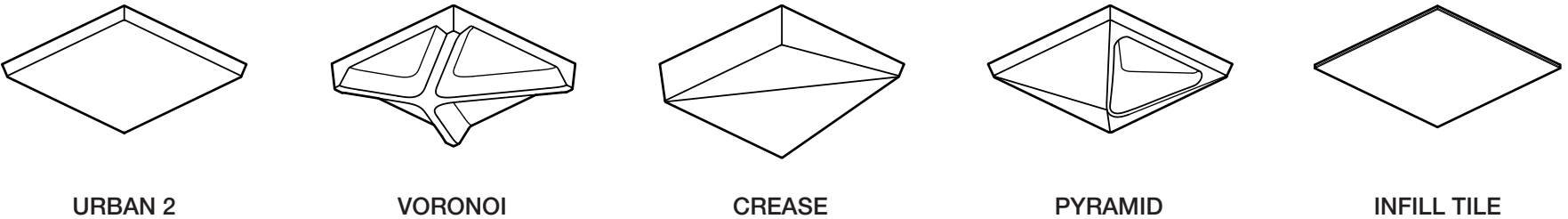
See Typical Layouts page for examples.

Infill Tiles Plain, flat tiles can be used where field cutting is required to work around obstructions.

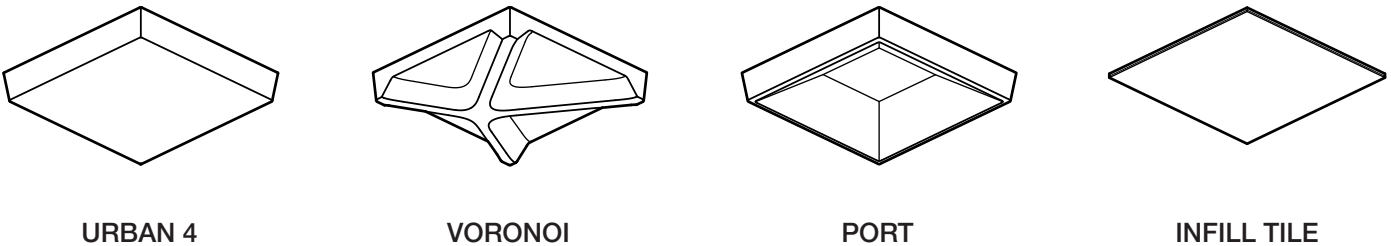
Infill tiles act like traditional lay-in ACT tiles. Magnets can be added upon request to hide the grid.

Infill Standard Size 24"L x 24"W x 14mm D

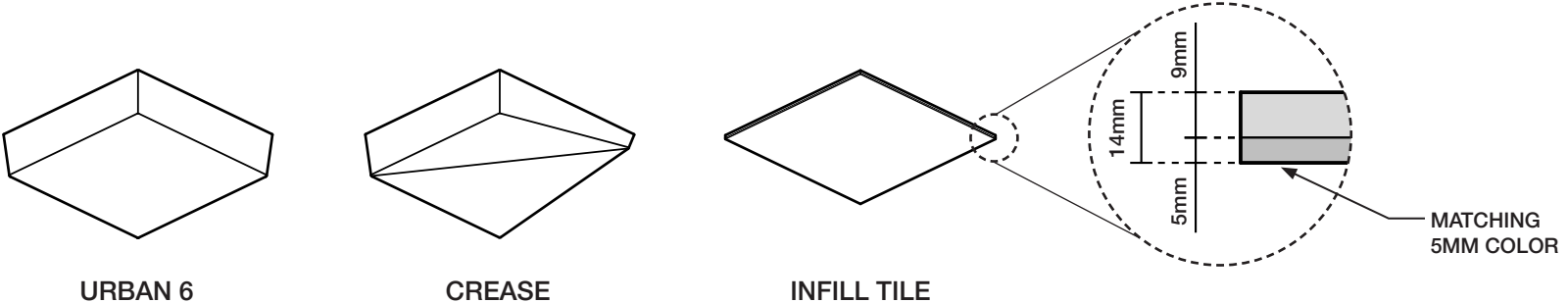
2" DEEP COORDINATION



4" DEEP COORDINATION



6" DEEP COORDINATION



Lighting Integration

Design

Turf offers multiple precut holes that are designed to work with fixtures by USAI.

USAI Fixtures



BeveLED Mini® for Turf - 3" Round
 BeveLED® 2.2 for Turf - 4.5" Round
 BeveLED Mini® for Turf - 3" Square
 BeveLED® 2.2 for Turf - 4.5" Square

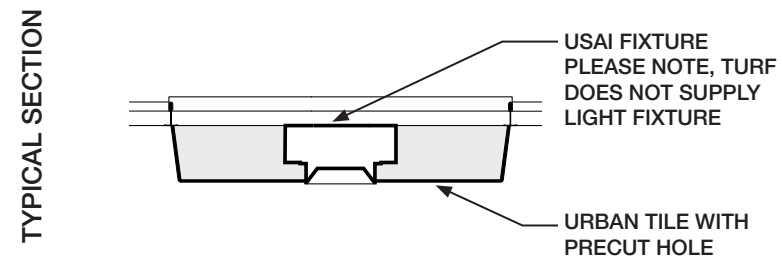
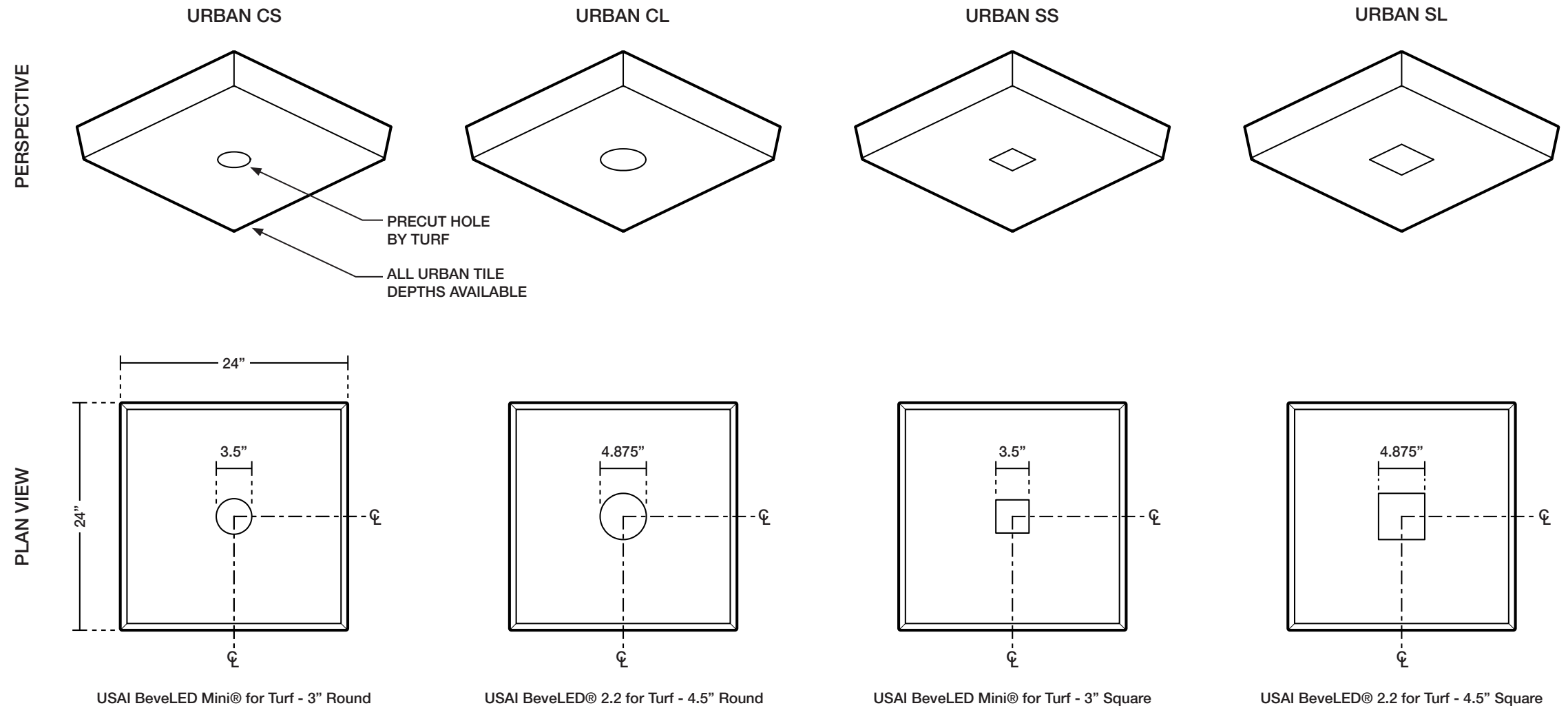
For more information visit
www.usalighting.com/turf-design

Coordination

Tiles have precut square or round holes in two different sizes.

Please note, tiles do not include light fixtures.

PROFILE TYPES



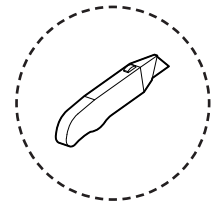
ALL DIMENSIONS NOMINAL UNLESS NOTED OTHERWISE



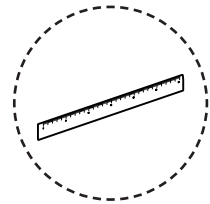
Trim Guide

Our tiles are designed to install quickly, with modifications that are easily done in the field.

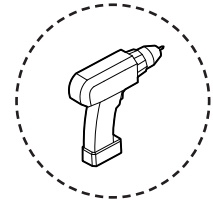
Tools Required



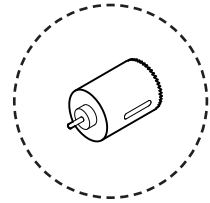
SHARP BLADE



STRAIGHT EDGE



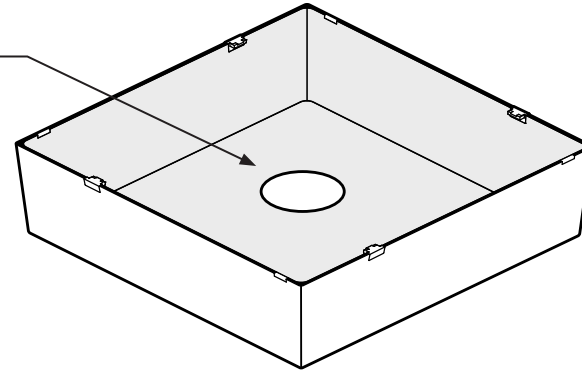
DRILL



HOLE SAW

1 - TRIM OR DRILL TILE FACE

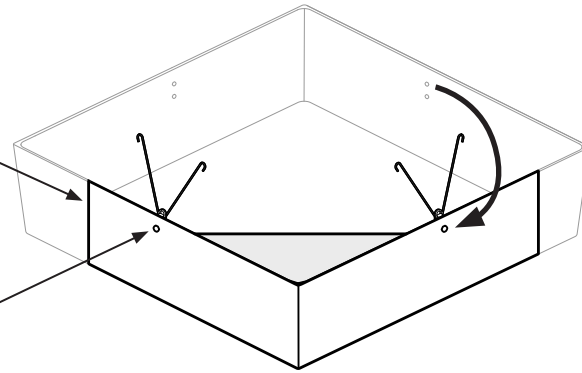
TRIM OR DRILL TILE FACE TO ACCOMMODATE FIXTURES AND OBSTRUCTIONS



*PLEASE NOTE, TO CUT CIRCULAR HOLES TURF RECOMMENDS USING A HOLE SAW IN REVERSE FOR A CLEANER EDGE

3 - TRIM TILE TO FIT - TORSION SPRING

TRIM TILE AS REQUIRED TO FIT SPACE

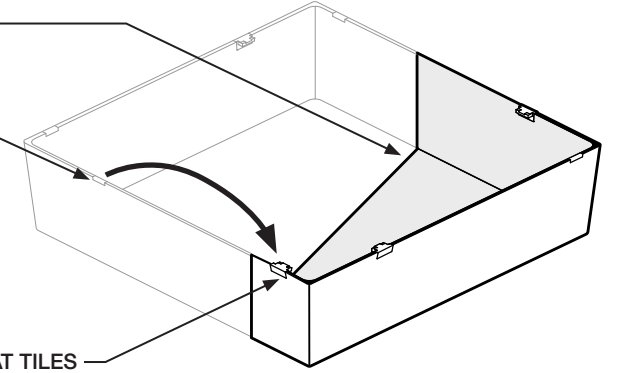


TURF RECOMMENDS THAT TILES MAINTAIN A MINIMUM OF TWO CONNECTION POINTS FOR TORSION SPRINGS, MOVE SPRINGS AS REQUIRED

2 - TRIM TILE TO FIT - MAGNETIC OR GRID CLIPS

TRIM TILE AS REQUIRED TO FIT SPACE

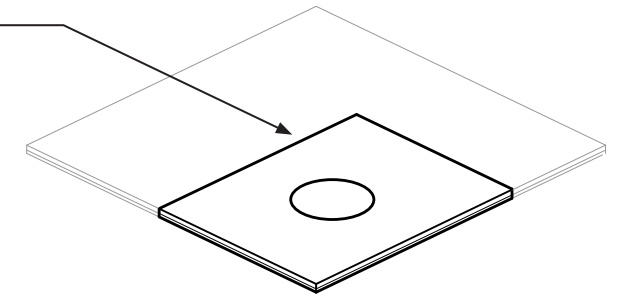
MAGNETS OR CLIPS CAN BE MOVED AS REQUIRED. ADDITIONAL MAGNETS OR CLIPS CAN BE ADDED IN FIELD.



TURF RECOMMENDS THAT TILES MAINTAIN A MINIMUM OF THREE CONNECTION POINTS FOR MAGNETIC OR GRID CLIPS

4 - TRIM OR DRILL INFILL TILE

TRIM OR DRILL TILE TO ACCOMMODATE FIXTURES AND OBSTRUCTIONS



*PLEASE NOTE, TO CUT CIRCULAR HOLES TURF RECOMMENDS USING A HOLE SAW IN REVERSE FOR A CLEANER EDGE

Tech

| | |
|-------------|-------------------------------------|
| Acoustics | ASTM C423-17 Type E-400 Mounting |
| Fire Rating | ASTM E-84 – Class A |
| VOC | ASTM D5116 Compliant |

Acoustic Rating

NRC = 0.95 - 1.0

A grid of ceiling tiles arranged in four rows of four units.

Details

Lead Time Check the Turf website for current lead times.

Warranty Three (3) years

Maintenance Vacuum to remove any particulate matter and air-borne debris or dust. Compressed air can be used to dust the material in difficult to reach areas for large assemblies. Contact us for more information relative to spot cleaning.

Weight Turf products cannot support the weight of any other items in field.

Certifications

Declare.



Rendering by Blaque

5mm Colors

Turf's compression molded ceiling tiles are made with 5mm PET felt.

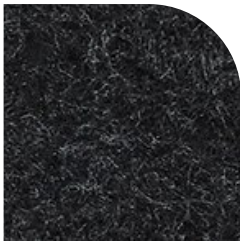
The process used to create PET felt often results in a heathered effect where multiple tones are present. Slight variations in color should be expected when using this sustainable

Felt Thickness
5mm +/-0.5 mm

Monitors and printers vary.
Please request a material sample to verify felt colors.



M07 ONYX



M06 CARBON



M04 PUMICE



M05 TALC



M01 SANDSTONE



M48 TAVERINE